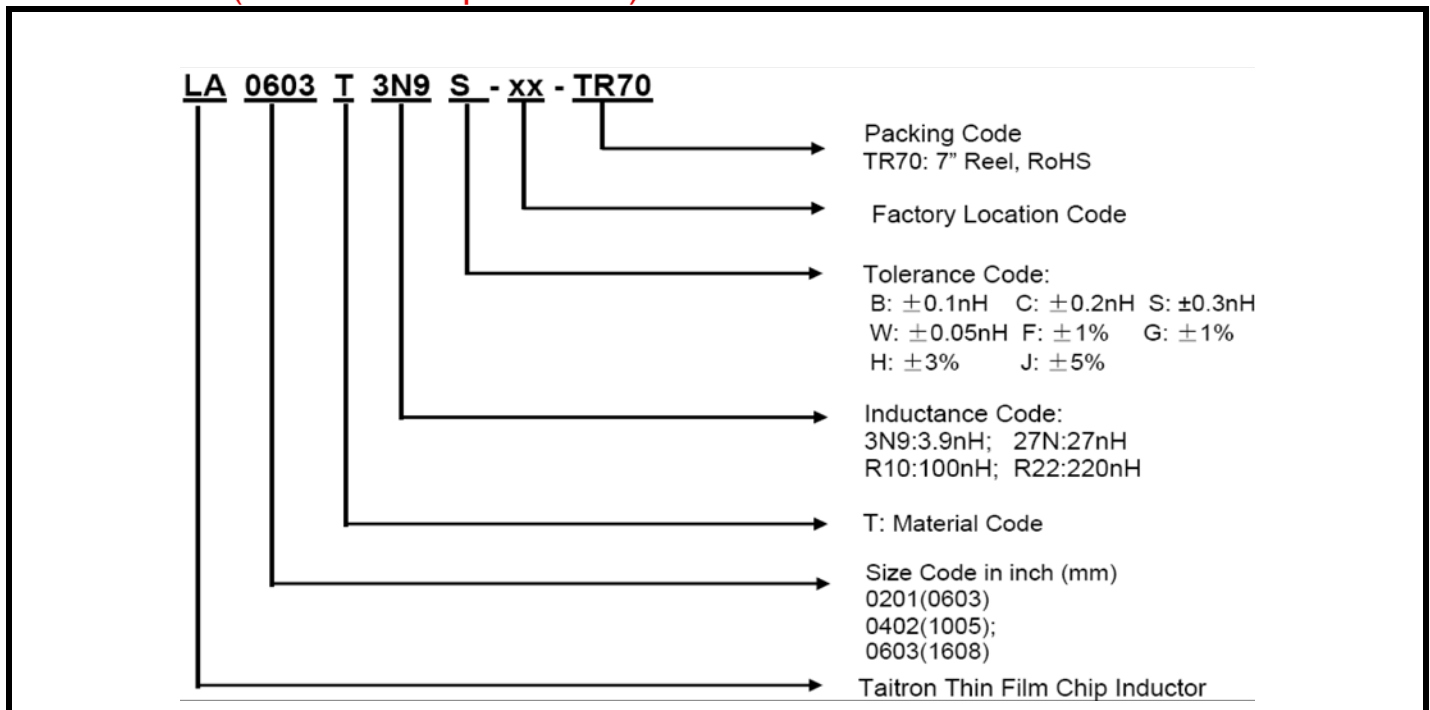


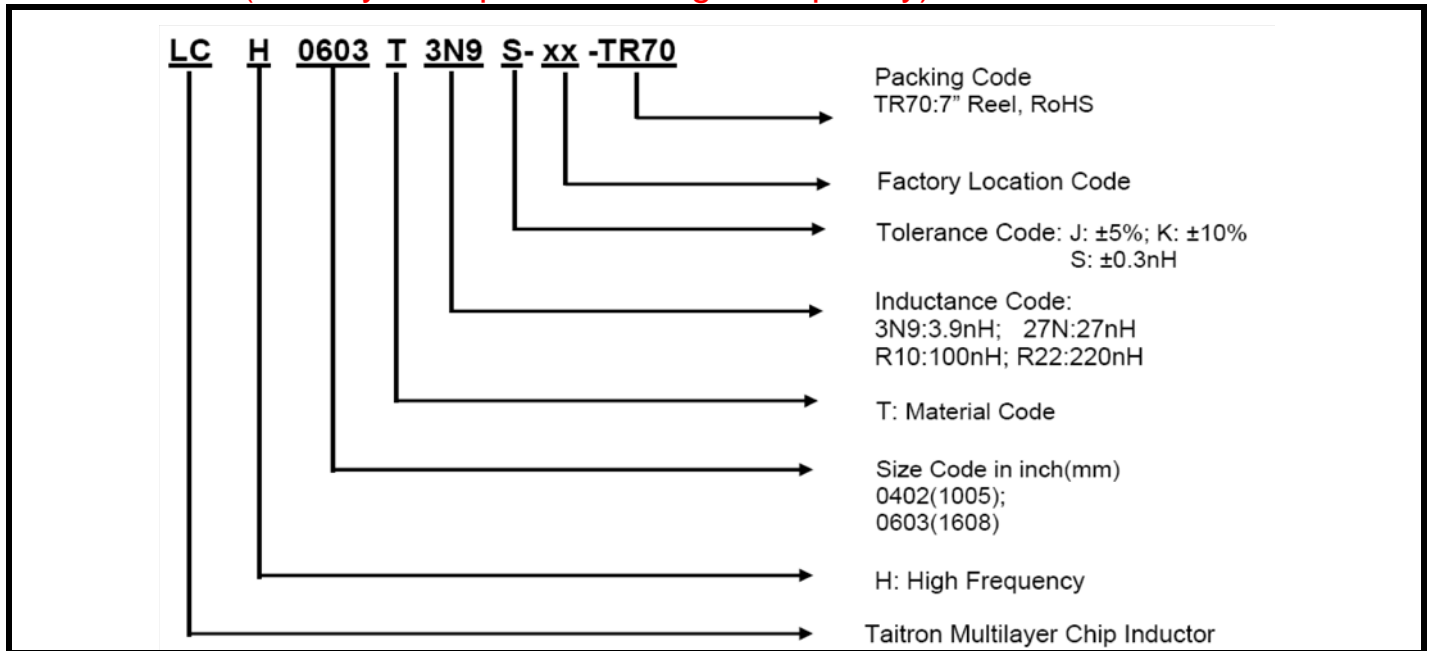
SMD Inductor - Selection Guide

Type	Series	Inductor Range	Tolerance	SRF(mHz)	DCR(Ω)	IDC(mA)	Size(inch)	
Thin Film Chip Inductor	LA0201	0.1nH~10nH	$\pm 0.1, 0.2, 0.3nH$ $\pm 1\%, 2\%, 3\%, 5\%$	1000~14000	0.1~7.5	75~800	0201	
	LA0402	0.2nH~33nH					0402	
	LA0306	1.0nH~100nH					0603	
Multilayer Chip Inductor High Frequency	LCH0402	1nH~120nH	$\pm 0.3nH$ $\pm 5\%, 10\%$	600~10000	0.12~2.7	100~300	0402	
	LCH0603	1nH~220nH		400~6000	0.10~23.0	250~500	0603	
Wire Wound Chip Inductor	Standard	LW0402	1nH~68nH	$\pm 2\%, 5\%, 10\%$	1620~12700	0.045~1.12	100~1360	0402
		LW0603	1nH~470nH		600~12500	0.03~4.35	80~700	0603
		LW0805	2.7nH~4700nH		40~7900	0.06~6.4	90~800	0805
		LW1008	5.6nH~15000nH		15~4000	0.08~11.5	120~1000	1008
		LW1206	6.8nH~1200nH		380~5500	0.07~3.2	300~1000	1206
		Low Profile	LWL0805		1.8nH~1000nH	$\pm 2\%, 5\%, 10\%$	80~9400	0.03~3.5
	LWL1008		3.3nH~560nH	415~6000	0.03~1.33		400~1000	1008
	High Current	LWH0603	1.6nH~24nH	$\pm 2\%, 5\%, 10\%$	2400~12500	0.03~0.105	1800~2400	0603
		LWQ0805	2.5nH~51nH		1400~6000	0.02~0.12	1000~1600	0805
	High Q	LWQ1008	3.0nH~100nH	$\pm 2\%, 5\%, 10\%$	820~6000	0.04~0.16	1000~1600	1008
		Standard (Ferrite)	LN1210		0.18uH~220uH	$\pm 10\%, 20\%$	7~400	0.28~21
	LN1812		0.18uH~820uH	2.5~220	0.24~43		30~700	1812

How to Order (Thin Film Chip Inductor)



How to Order (Multilayer Chip Inductor High Frequency)



How to Order (Wire Wound Chip Inductor)

