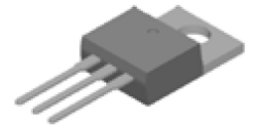


1A Standard Positive Voltage Regulator

General Description

- The LM78xx series is three terminal standard positive voltage regulator designed for a wide range of applications that required supply current up to 1A.
- The LM78xx series is available in 10 fixed output voltage:4.7V,5V,6V,7V,8V,9V,10V, 12V,15V,18V and 24V.
- The LM78xx series provides internal current limiting, thermal shutdown protection and Safe-area operation compensation which make them virtually immune from output load, and the output current could up to 1A if adequate heat sinking provide
- The LM78xx is available in TO-220,TO-220F,DPAK (TO-252) ,D²PAK(TO-263)packages.



TO-220



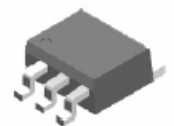
TO-220F



DPAK
(TO-252)



D²PAK
(TO-263-2)



D²PAK
(TO-263-3)

Features

- Output Current up to 1A
- Maximum Input voltage up to 36V
- Output Voltage Accuracy of $\pm 4\%$ at 25°C
- Thermal Overload Protection
- Short Circuit Current Limiting
- Output Transistor safe operation area (SOA) Protection
- RoHS Compliance and Halogen Free



HALOGEN
FREE

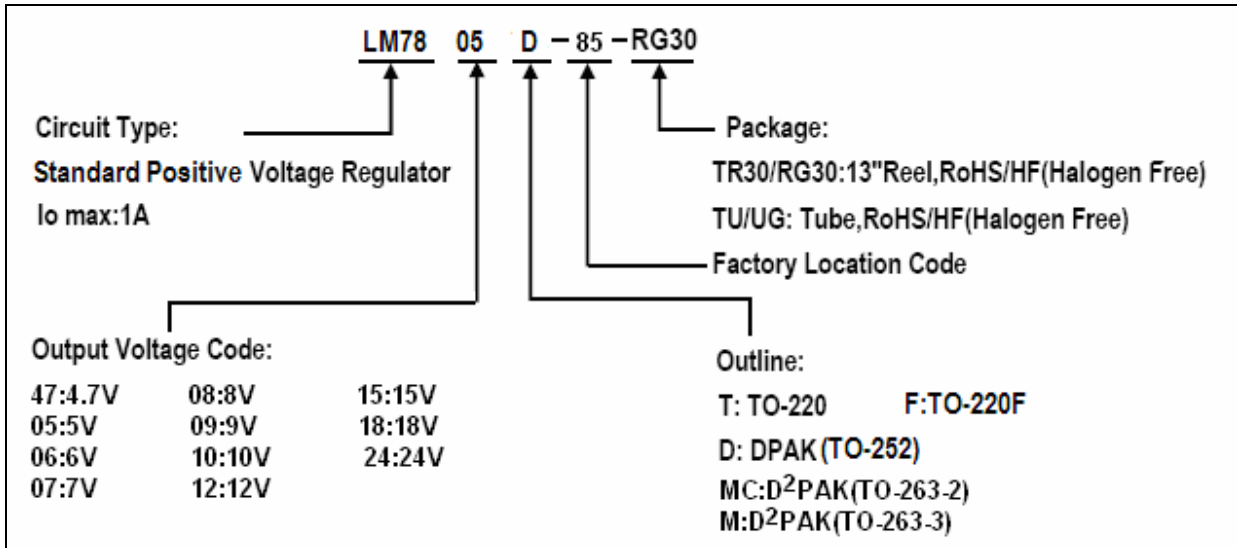
Applications

- High Efficiency Linear Regulator
- Post Regulation for Switching Supply
- Microprocessor Power Supply
- Mother Board

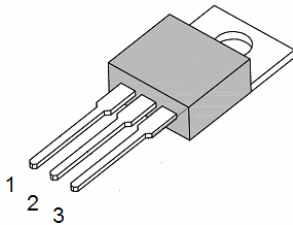
1A Standard Positive Voltage Regulator

LM7847 ~ LM7824

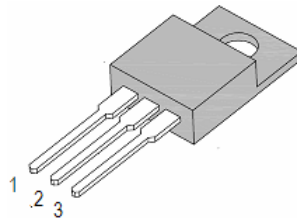
Ordering Information



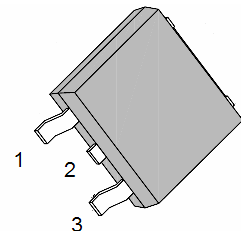
Pin Configuration



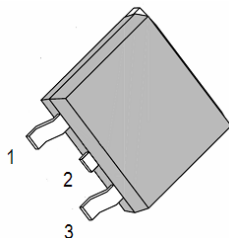
1: INPUT 2: GND 3: OUTPUT
TO-220



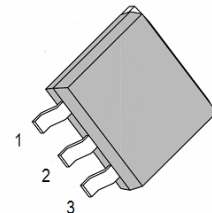
1: INPUT 2: GND 3: OUTPUT
TO-220F



1: INPUT 2: GND 3: OUTPUT
DPAK (TO-252)



D²PAK (TO-263-2)

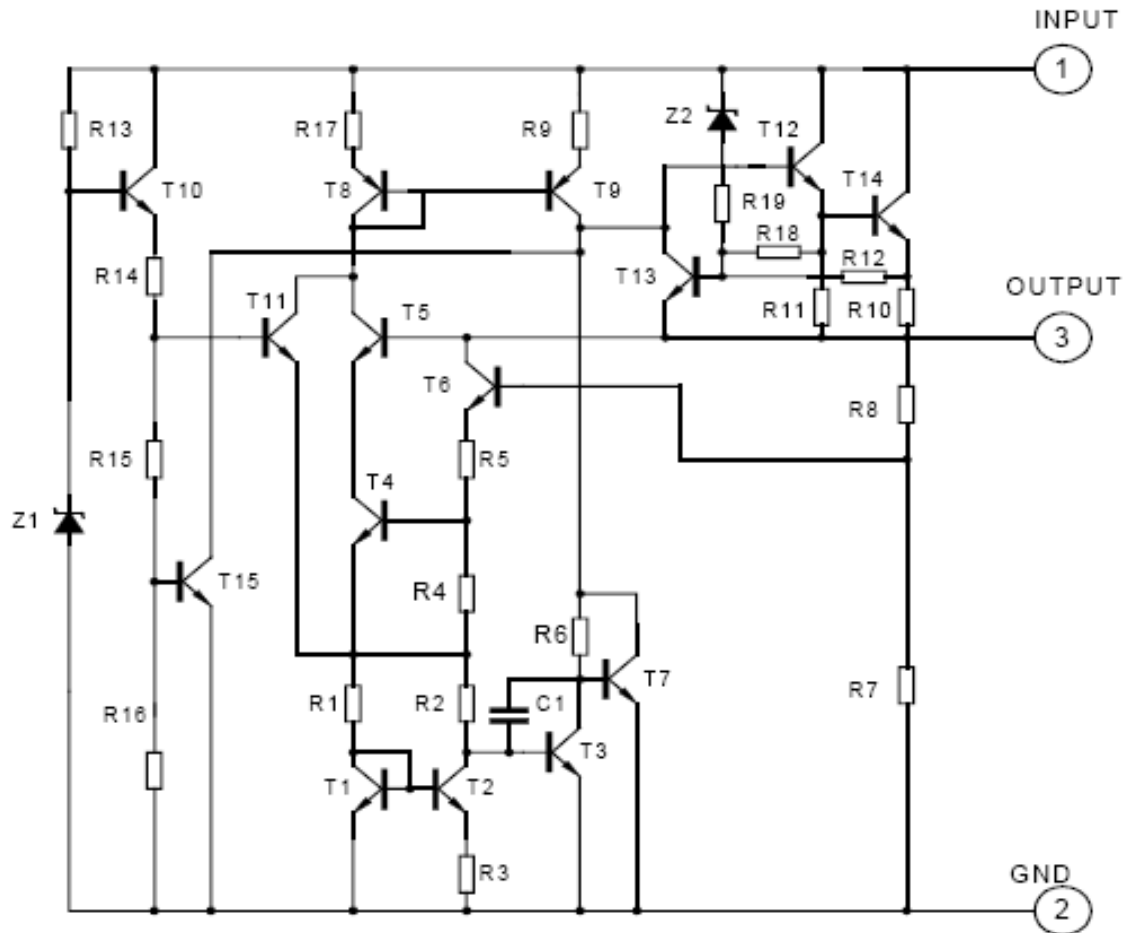


D²PAK (TO-263-3)

1A Standard Positive Voltage Regulator

LM7847 ~ LM7824

Functional Block Diagram



1A Standard Positive Voltage Regulator

LM7847 ~ LM7824

Absolute Maximum Ratings (Note 1)

Symbol	Description		Ratings	Unit
V_{IN}	Input Voltage	$V_O=4.7\sim 18V$	35	V
		$V_O=20\sim 24V$	40	
I_O	Output Current		1	A
P_D	Power Dissipation		Internally Limited	W
T_{LEAD}	Lead Temperature (Soldering 10sec)		260	°C
T_J	Operating Junction Temperature	D ² PAK	0 to 125	
		others	-20 to 150	
T_{STG}	Storage Temperature Range	D ² PAK	-40 to 150	
		others	-55 to 150	
θ_{JA}	Thermal Resistance (Junction to Ambient)	TO-220	65	°C/W
		TO-220F		
		DPAK (TO-252)	61.54	
θ_{JC}	Thermal Resistance (Junction to Case)	TO-220	5	
		TO-220F		
		DPAK (TO-252)	7.48	

Note1: Absolute maximum ratings indicate limits beyond which damage to the device may occur. For guarantee specification and test conditions, see the Electrical Characteristics. the guarantee specification apply only for the test conditions listed. Some performance characteristics may degrade when the device is not operated under the listed test conditions.

1A Standard Positive Voltage Regulator

LM7847 ~ LM7824

Electrical Characteristics ($I_o=0.5A, T_j=0\sim 125^{\circ}C, C_{IN}=0.33\mu F, C_O=0.1\mu F$, unless otherwise specified, Note2)

For LM7847 ($V_{IN}=9.7V, T_J = 25^{\circ}C$)

Symbol	Description	LM7847			Unit	Test Conditions
		Min.	Typ.	Max.		
V _o	Output Voltage	4.512	4.70	4.888	V	5mA ≤ I _o ≤ 1.0A
		4.465	-	4.935	V	7.2V ≤ V _{IN} ≤ 19.7V, 5mA ≤ I _o ≤ 1.0A
ΔV _{LOAD}	Load Regulation	-	-	47	mV	5mA ≤ I _o ≤ 1.0A
		-	-	24	mV	0.25A ≤ I _o ≤ 0.75A
ΔV _{LINE}	Line Regulation	-	-	47	mV	7.2V ≤ V _{IN} ≤ 19.7V
		-	-	47	mV	7.2V ≤ V _{IN} ≤ 19.7V, I _o = 1.0A
V _D	Dropout Voltage	-	2.0	-	V	-
I _q	Quiescent Current	-	-	8.0	mA	I _{OUT} ≤ 1.0A
ΔI _q	Quiescent Current Change	-	-	1.0	mA	7.2V ≤ V _{IN} ≤ 19.7V
		-	-	0.5	mA	5.8V ≤ V _{IN} ≤ 18.3V
e _N	Output Noise Voltage	-	40	-	μV	10Hz ≤ f ≤ 100KHz
ΔV _o /ΔT	Temperature coefficient of V _{out}	-	-0.6	-	mV/°C	I _o = 5mA
PSRR	Power Supply Ripple Rejection Ratio	62	80	-	dB	7.7V ≤ V _{IN} ≤ 17.7V, f = 120Hz
I _{PEAK}	Peak Output Current	-	1.8	-	A	-
I _{sc}	Short-Circuit Current	-	250	-	mA	V _{IN} = 35V

For LM7805 ($V_{IN}=10V, T_J = 25^{\circ}C$)

Symbol	Description	LM7805			Unit	Test Conditions
		Min.	Typ.	Max.		
V _o	Output Voltage	4.80	5.0	5.20	V	5mA ≤ I _o ≤ 1.0A
		4.75	-	5.25	V	7.5V ≤ V _{IN} ≤ 20V, 5mA ≤ I _o ≤ 1.0A
ΔV _{LOAD}	Load Regulation	-	-	50	mV	5mA ≤ I _o ≤ 1.0A
		-	-	25	mV	0.25A ≤ I _o ≤ 0.75A
ΔV _{LINE}	Line Regulation	-	-	50	mV	7.0V ≤ V _{IN} ≤ 25V
		-	-	50	mV	7.5V ≤ V _{IN} ≤ 20V, I _o = 1.0A
V _D	Dropout Voltage	-	2.0	-	V	-
I _q	Quiescent Current	-	-	8.0	mA	I _o ≤ 1.0A
ΔI _q	Quiescent Current Change	-	-	1.0	mA	7.5V ≤ V _{IN} ≤ 20V
		-	-	0.5	mA	5mA ≤ I _o ≤ 1.0A
e _N	Output Noise Voltage	-	40	-	μV	10Hz ≤ f ≤ 100KHz
ΔV _o /ΔT	Temperature coefficient of V _{OUT}	-	-0.6	-	mV/°C	I _{OUT} = 5mA

1A Standard Positive Voltage Regulator

LM7847 ~ LM7824

PSRR	Power Supply Ripple Rejection Ratio	62	80	-	dB	$8V \leq V_{IN} \leq 18V, f=120\text{Hz}$
I_{PEAK}	Peak Output Current	-	1.8	-	A	-
I_{sc}	Short-Circuit Current	-	250	-	mA	$V_{IN}=35V$

For LM7806 ($V_{IN}=11V, T_J = 25^\circ\text{C}$)

Symbol	Description	LM7806			Unit	Test Conditions
		Min.	Typ.	Max.		
V_o	Output Voltage	5.76	6.0	6.24	V	$5\text{mA} \leq I_o \leq 1.0\text{A}$
		5.7	-	6.3	V	$8.5V \leq V_{IN} \leq 21V, 5\text{mA} \leq I_o \leq 1.0\text{A}$
ΔV_{LOAD}	Load Regulation	-	-	60	mV	$5\text{mA} \leq I_o \leq 1.0\text{A}$
		-	-	30	mV	$0.25\text{A} \leq I_o \leq 0.75\text{A}$
ΔV_{LINE}	Line Regulation	-	-	60	mV	$8.0V \leq V_{IN} \leq 25V$
		-	-	60	mV	$8.5V \leq V_{IN} \leq 21V, I_o=1.0\text{A}$
I_q	Quiescent Current	-	-	8.0	mA	$I_{OUT} \leq 1.0\text{A}$
ΔI_q	Quiescent Current Change	-	-	1.0	mA	$7.5V \leq V_{IN} \leq 20V$
		-	-	0.5	mA	$I_o=5\text{mA}-1.0\text{A}$
e_N	Output Noise Voltage	-	40	-	μV	$10\text{Hz} \leq f \leq 100\text{KHz}$
ΔV_o/ΔT	Temperature coefficient of V _{OUT}	-	-0.7	-	mV/°C	$I_o=5\text{mA}$
PSRR	Power Supply Ripple Rejection Ratio	62	80	-	dB	$9V \leq V_{IN} \leq 19V, f=120\text{Hz}$
I_{PEAK}	Peak Output Current	-	1.8	-	A	-
I_{sc}	Short-Circuit Current	-	250	-	mA	$V_{IN}=35V$
V_D	Dropout Voltage	-	2.0	-	V	-

For LM7807 ($V_{IN}=13V, T_J = 25^\circ\text{C}$)

Symbol	Description	LM7807			Unit	Test Conditions
		Min.	Typ.	Max.		
V_o	Output Voltage	6.72	7.0	7.28	V	$5\text{mA} \leq I_o \leq 1.0\text{A}$
		6.65	-	7.35	V	$9.5V \leq V_{IN} \leq 22V, 5\text{mA} \leq I_o \leq 1.0\text{A}$
ΔV_{LOAD}	Load Regulation	-	-	70	mV	$5\text{mA} \leq I_o \leq 1.0\text{A}$
		-	-	35	mV	$0.25\text{A} \leq I_o \leq 0.75\text{A}$
ΔV_{LINE}	Line Regulation	-	-	70	mV	$9.0V \leq V_{IN} \leq 25V$
		-	-	70	mV	$9.5V \leq V_{IN} \leq 22V, I_o=1.0\text{A}$
V_D	Dropout Voltage	-	2.0	-	V	-
I_q	Quiescent Current	-	-	8.0	mA	$I_o \leq 1.0\text{A}$
ΔI_q	Quiescent Current Change	-	-	1.0	mA	$9.5V \leq V_{IN} \leq 22V$
		-	-	0.5	mA	$I_o=5\text{mA}-1.0\text{A}$
e_N	Output Noise Voltage	-	50	-	μV	$10\text{Hz} \leq f \leq 100\text{KHz}$
ΔV_o/ΔT	Temperature coefficient of V _{OUT}	-	-0.8	-	mV/°C	$I_o=5\text{mA}$

1A Standard Positive Voltage Regulator

LM7847 ~ LM7824

PSRR	Power Supply Ripple Rejection Ratio	59	75	-	dB	$9V \leq V_{IN} \leq 19V, f=120\text{Hz}$
I_{PEAK}	Peak Output Current	-	1.8	-	A	-
I_{sc}	Short-Circuit Current	-	250	-	mA	$V_{IN}=35V$

For LM7808 ($V_{IN}=14V, T_J = 25^\circ\text{C}$)

Symbol	Description	LM7808			Unit	Test Conditions
		Min.	Typ.	Max.		
V_o	Output Voltage	7.68	8.0	8.32	V	$5\text{mA} \leq I_o \leq 1.0\text{A}$
		7.6	-	8.4	V	$10.5V \leq V_{IN} \leq 23V, 5\text{mA} \leq I_o \leq 1.0\text{A}$
ΔV_{LOAD}	Load Regulation	-	-	80	mV	$5\text{mA} \leq I_o \leq 1.0\text{A}$
		-	-	40	mV	$0.25\text{A} \leq I_o \leq 0.75\text{A}$
ΔV_{LINE}	Line Regulation	-	-	80	mV	$10.5V \leq V_{IN} \leq 25V$
		-	-	80	mV	$10.5V \leq V_{IN} \leq 23V, I_o=1.0\text{A}$
V_D	Dropout Voltage	-	2.0	-	V	-
I_q	Quiescent Current	-	-	8.0	mA	$I_o \leq 1.0\text{A}$
ΔI_q	Quiescent Current Change	-	-	1.0	mA	$9.5V \leq V_{IN} \leq 22V$
		-	-	0.5	mA	$5\text{mA} \leq I_o \leq 1.0\text{A}$
e_N	Output Noise Voltage	-	58	-	μV	$10\text{Hz} \leq f \leq 100\text{KHz}$
ΔV_o/ΔT	Temperature coefficient of V _{out}	-	-0.9	-	mV/°C	$I_o=5\text{mA}$
PSRR	Power Supply Ripple Rejection Ratio	56	72	-	dB	$11.5V \leq V_{IN} \leq 21.5V, f=120\text{Hz}$
I_{PEAK}	Peak Output Current	-	1.8	-	A	-
I_{sc}	Short-Circuit Current	-	250	-	mA	$V_{IN}=35V$

For LM7809 ($V_{IN}=15V, T_J = 25^\circ\text{C}$)

Symbol	Description	LM7809			Unit	Test Conditions
		Min.	Typ.	Max.		
V_o	Output Voltage	8.64	9.0	9.36	V	$5\text{mA} \leq I_o \leq 1.0\text{A}$
		8.55	-	9.45	V	$10.5V \leq V_{IN} \leq 23V, 5\text{mA} \leq I_o \leq 1.0\text{A}$
ΔV_{LOAD}	Load Regulation	-	-	90	mV	$5\text{mA} \leq I_o \leq 1.0\text{A}$
		-	-	45	mV	$0.25\text{A} \leq I_o \leq 0.75\text{A}$
ΔV_{LINE}	Line Regulation	-	-	90	mV	$11.5V \leq V_{IN} \leq 25V$
		-	-	90	mV	$11.5V \leq V_{IN} \leq 24V, I_o=1.0\text{A}$
V_D	Dropout Voltage	-	2.0	-	V	-
I_q	Quiescent Current	-	-	8.0	mA	$I_o \leq 1.0\text{A}$
ΔI_q	Quiescent Current Change	-	-	1.0	mA	$11.5V \leq V_{IN} \leq 24V$
		-	-	0.5	mA	$5\text{mA} \leq I_o \leq 1.0\text{A}$
e_N	Output Noise Voltage	-	58	-	μV	$10\text{Hz} \leq f \leq 100\text{KHz}$
ΔV_o/ΔT	Temperature coefficient of V _{out}	-	-1.1	-	mV/°C	$I_o=5\text{mA}$

1A Standard Positive Voltage Regulator

LM7847 ~ LM7824

PSRR	Power Supply Ripple Rejection Ratio	56	72	-	dB	$12.5V \leq V_{IN} \leq 22.5V, f=120\text{Hz}$
I_{PEAK}	Peak Output Current	-	1.8	-	A	-
I_{sc}	Short-Circuit Current	-	250	-	mA	$V_{IN}=35V$

For LM7810 ($V_{IN}=16V, T_J = 25^\circ\text{C}$)

Symbol	Description	LM7810			Unit	Test Conditions
		Min.	Typ.	Max.		
V_o	Output Voltage	9.60	10.0	10.40	V	$5\text{mA} \leq I_o \leq 1.0\text{A}$
		9.5	-	10.5	V	$12.5V \leq V_{IN} \leq 25V, I_o=5\text{mA}-1.0\text{A}$
ΔV_{LOAD}	Load Regulation	-	-	100	mV	$5\text{mA} \leq I_o \leq 1.0\text{A}$
		-	-	50	mV	$0.25\text{A} \leq I_o \leq 0.75\text{A}$
ΔV_{LINE}	Line Regulation	-	-	100	mV	$13V \leq V_{IN} \leq 25V$
		-	-	100	mV	$13V \leq V_{IN} \leq 25V, I_o=1.0\text{A}$
I_q	Quiescent Current	-	-	8.0	mA	$I_o \leq 1.0\text{A}$
ΔI_q	Quiescent Current Change	-	-	1.0	mA	$12.6V \leq V_{IN} \leq 25V$
		-	-	0.5	mA	$5\text{mA} \leq I_o \leq 1.0\text{A}$
e_N	Output Noise Voltage	-	58	-	μV	$10\text{Hz} \leq f \leq 100\text{KHz}$
$\Delta V_o/\Delta T$	Temperature coefficient of V _{out}	-	-1.1	-	mV/°C	$I_o=5\text{mA}$
PSRR	Power Supply Ripple Rejection Ratio	56	72	-	dB	$12.5V \leq V_{IN} \leq 22.5V, f=120\text{Hz}$
I_{PEAK}	Peak Output Current	-	1.8	-	A	-
I_{sc}	Short-Circuit Current	-	250	-	mA	$V_{IN}=35V$
V_D	Dropout Voltage	-	2.0	-	V	-

For LM7812 ($V_{IN}=19V, T_J = 25^\circ\text{C}$)

Symbol	Description	LM7812			Unit	Test Conditions
		Min.	Typ.	Max.		
V_o	Output Voltage	11.52	12.0	12.48	V	$5\text{mA} \leq I_o \leq 1.0\text{A}$
		11.4	-	12.6	V	$14.5V \leq V_{IN} \leq 27V, 5\text{mA} \leq I_o \leq 1.0\text{A}$
ΔV_{LOAD}	Load Regulation	-	-	120	mV	$5\text{mA} \leq I_o \leq 1.0\text{A}$
		-	-	60	mV	$0.25\text{A} \leq I_o \leq 0.75\text{A}$
ΔV_{LINE}	Line Regulation	-	-	120	mV	$14.5V \leq V_{IN} \leq 30V$
		-	-	120	mV	$14.5V \leq V_{IN} \leq 27V, I_o=1.0\text{A}$
V_D	Dropout Voltage	-	2.0	-	V	-
I_q	Quiescent Current	-	-	8.0	mA	$I_o \leq 1.0\text{A}$
ΔI_q	Quiescent Current Change	-	-	1.0	mA	$14.5V \leq V_{IN} \leq 30V$
		-	-	0.5	mA	$5\text{mA} \leq I_o \leq 1.0\text{A}$

1A Standard Positive Voltage Regulator

LM7847 ~ LM7824

eN	Output Noise Voltage	-	75	-	μV	10Hz≤f≤100KHz
ΔVo/ΔT	Temperature coefficient of V _{OUT}	-	-1.5	-	mV/°C	I _o =5mA
PSRR	Power Supply Ripple Rejection Ratio	56	72	-	dB	15V≤V _{IN} ≤25V, f=120Hz
I_{PEAK}	Peak Output Current	-	1.8	-	A	-
I_{sc}	Short-Circuit Current	-	250	-	mA	V _{IN} =35V

For LM7815 (V_{IN}=23V, T_J= 25°C)

Symbol	Description	LM7815			Unit	Test Conditions
		Min.	Typ.	Max.		
V_o	Output Voltage	14.40	15.0	15.60	V	5mA ≤ I _o ≤ 1.0A
		14.25	-	15.75	V	17.5V ≤ V _{IN} ≤ 30V, 5mA ≤ I _o ≤ 1.0A
ΔV_{LOAD}	Load Regulation	-	-	150	mV	5mA ≤ I _o ≤ 1.0A
		-	-	75	mV	0.25A ≤ I _o ≤ 0.75A
ΔV_{LINE}	Line Regulation	-	-	150	mV	18.5V ≤ V _{IN} ≤ 30V
		-	-	150	mV	17.8V ≤ V _{IN} ≤ 30V, I _o =1.0A
V_D	Dropout Voltage	-	2.0	-	V	-
I_q	Quiescent Current	-	-	8.0	mA	I _o ≤ 1.0A
ΔI_q	Quiescent Current Change	-	-	1.0	mA	17.5V ≤ V _{IN} ≤ 30V
		-	-	0.5	mA	5mA ≤ I _o ≤ 1.0A
eN	Output Noise Voltage	-	90	-	μV	10Hz≤f≤100KHz
ΔVo/ΔT	Temperature coefficient of V _{OUT}	-	-1.8	-	mV/°C	I _o =5mA
PSRR	Power Supply Ripple Rejection Ratio	54	70	-	dB	15V≤V _{IN} ≤25V, f=120Hz
I_{PEAK}	Peak Output Current	-	1.8	-	A	-
I_{sc}	Short-Circuit Current	-	250	-	mA	V _{IN} =35V

For LM7818 (V_{IN}=27V, T_J= 25°C)

Symbol	Description	LM7818			Unit	Test Conditions
		Min.	Typ.	Max.		
V_o	Output Voltage	17.28	18.0	18.72	V	5mA ≤ I _o ≤ 1.0A
		17.1	-	18.9	V	21V ≤ V _{IN} ≤ 33V, 5mA ≤ I _o ≤ 1.0A
ΔV_{LOAD}	Load Regulation	-	-	180	mV	5mA ≤ I _o ≤ 1.0A
		-	-	90	mV	0.25A ≤ I _o ≤ 0.75A
ΔV_{LINE}	Line Regulation	-	-	180	mV	21V ≤ V _{IN} ≤ 33V
		-	-	180	mV	21V ≤ V _{IN} ≤ 33V, I _o =1.0A
V_D	Dropout Voltage	-	2.0	-	V	-
I_q	Quiescent Current	-	-	8.0	mA	I _o ≤ 1.0A
ΔI_q	Quiescent Current Change	-	-	1.0	mA	21.5V ≤ V _{IN} ≤ 33V
		-	-	0.5	mA	5mA ≤ I _o ≤ 1.0A

1A Standard Positive Voltage Regulator

LM7847 ~ LM7824

eN	Output Noise Voltage	-	110	-	μV	10Hz≤f≤100KHz
ΔVo/ΔT	Temperature coefficient of V _{OUT}	-	-2.2	-	mV/°C	I _o =5mA
PSRR	Power Supply Ripple Rejection Ratio	53	69	-	dB	22V≤V _{IN} ≤32V, f=120Hz
I_{PEAK}	Peak Output Current	-	1.8	-	A	-
I_{sc}	Short-Circuit Current	-	250	-	mA	V _{IN} =35V

For LM7824 (V_{IN}=33V, T_j= 25°C)

Symbol	Description	LM7824			Unit	Test Conditions
		Min.	Typ.	Max.		
V_o	Output Voltage	23.04	24.0	24.96	V	5mA ≤ I _o ≤ 1.0A
		22.80	-	25.20	V	27V ≤ V _{IN} ≤ 38V, 5mA ≤ I _o ≤ 1.0A
ΔV_{LOAD}	Load Regulation	-	-	240	mV	5mA ≤ I _o ≤ 1.0A
		-	-	120	mV	0.25A ≤ I _o ≤ 0.75A
ΔV_{LINE}	Line Regulation	-	-	240	mV	21V ≤ V _{IN} ≤ 33V
		-	-	240	mV	27V ≤ V _{IN} ≤ 38V, I _o =1.0A
V_D	Dropout Voltage	-	2.0	-	V	-
I_q	Quiescent Current	-	-	8.0	mA	I _o ≤ 1.0A
ΔI_q	Quiescent Current Change	-	-	1.0	mA	28V ≤ V _{IN} ≤ 38V
		-	-	0.5	mA	5mA ≤ I _o ≤ 1.0A
eN	Output Noise Voltage	-	170	-	μV	10Hz≤f≤100KHz
ΔVo/ΔT	Temperature coefficient of V _{OUT}	-	-2.8	-	mV/°C	I _o =5mA
PSRR	Power Supply Ripple Rejection Ratio	50	66	-	dB	28V ≤ V _{IN} ≤ 38V, f=120Hz
I_{PEAK}	Peak Output Current	-	1.8	-	A	-
I_{sc}	Short-Circuit Current	-	250	-	mA	V _{IN} =35V

Note2: The Maximum steady state usable output current are dependent on the input voltage, heat sinking, lead length of the package and the copper pattern of the PCB. The data above represents pulse test conditions with junction temperature specified at the initiation of test.

1A Standard Positive Voltage Regulator

LM7847 ~ LM7824

Typical Characteristics Curves

Fig.1- Dropout Voltage vs. Junction Temperature

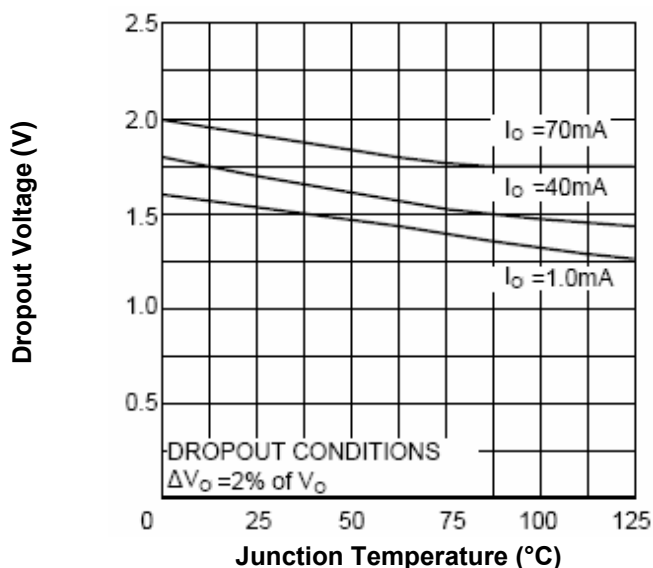


Fig.2- Output Voltage vs. Junction Temperature

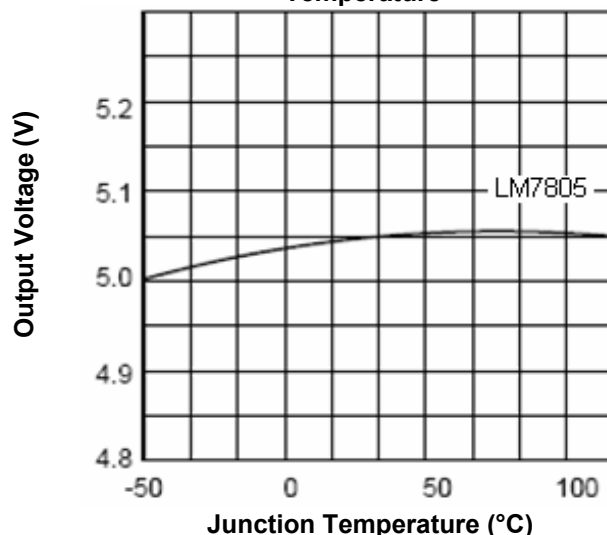


Fig.3- Power Dissipation vs. Junction Temperature

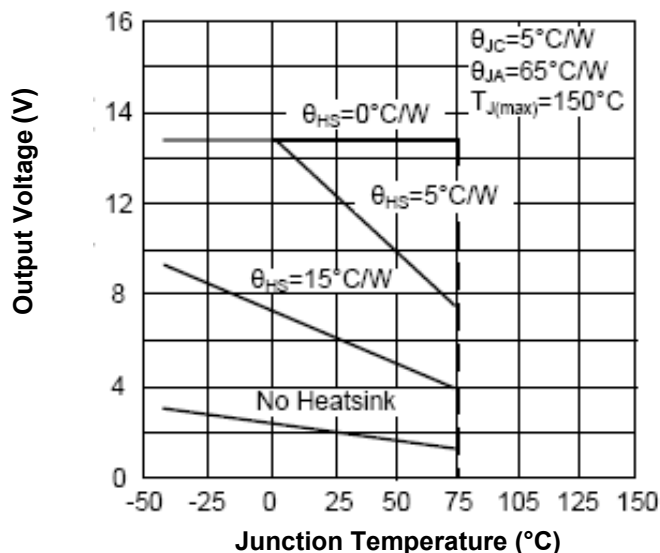
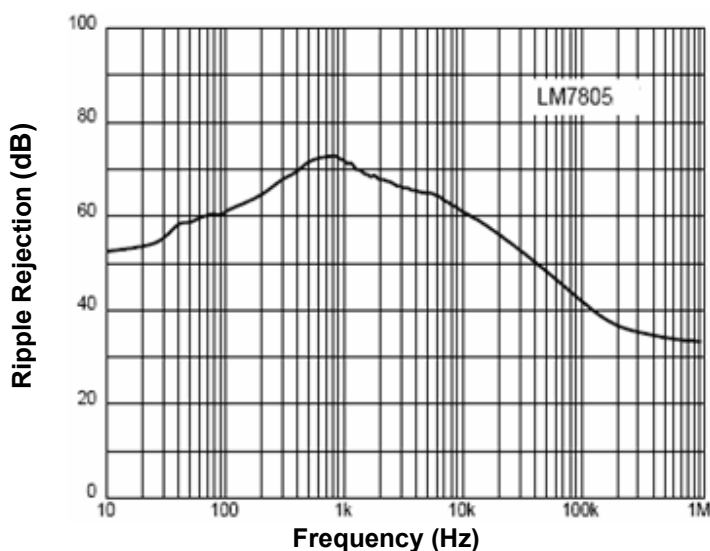


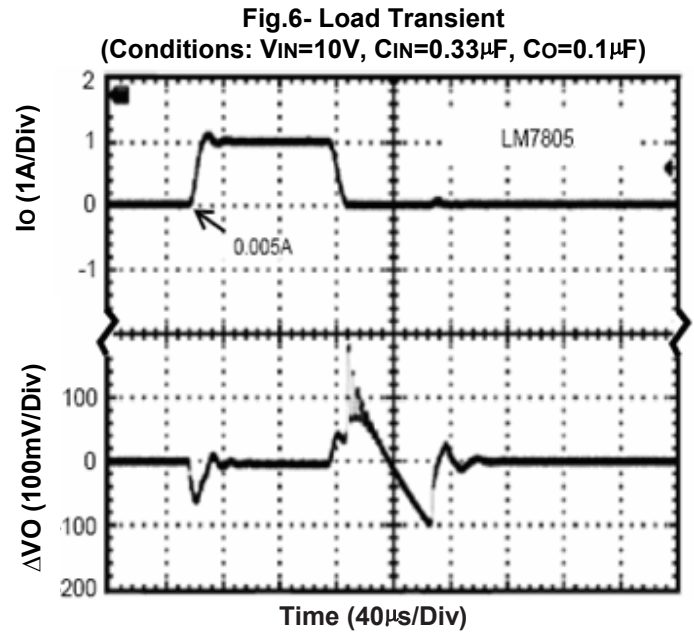
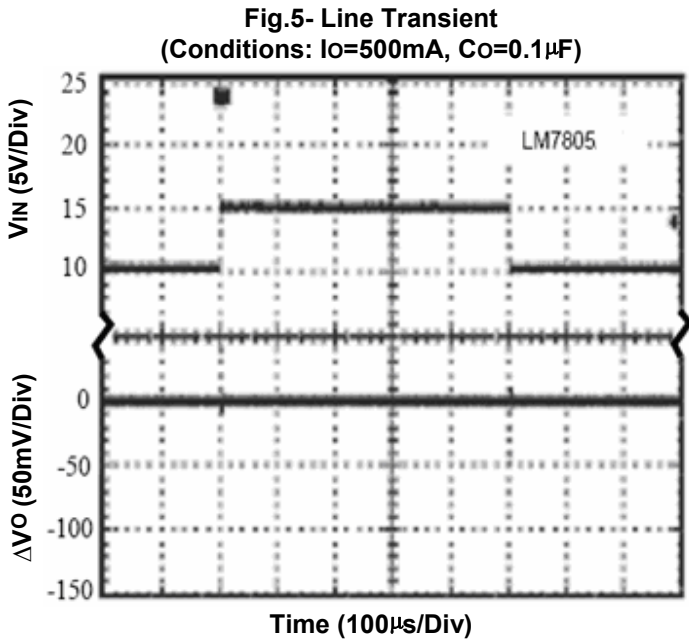
Fig.4- Ripple Rejection vs. Frequency



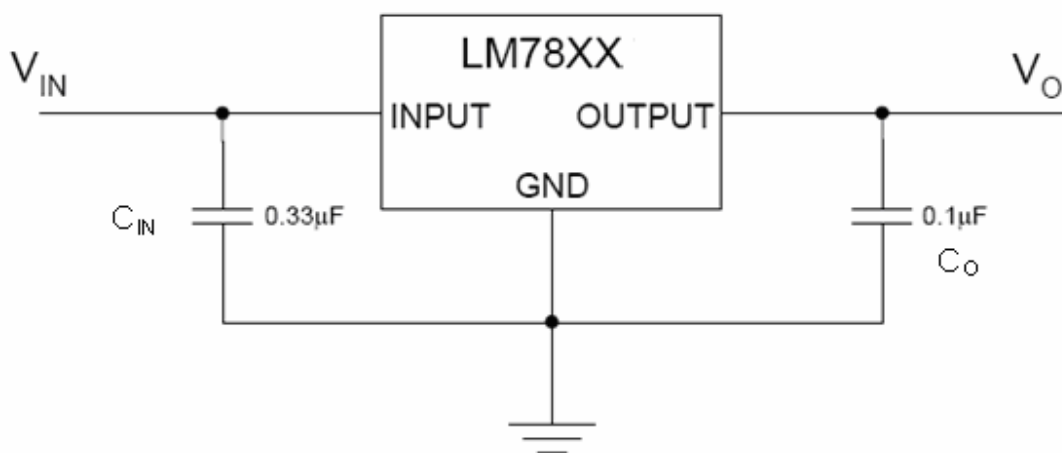
1A Standard Positive Voltage Regulator

LM7847 ~ LM7824

Typical Characteristics Curves (Continued)



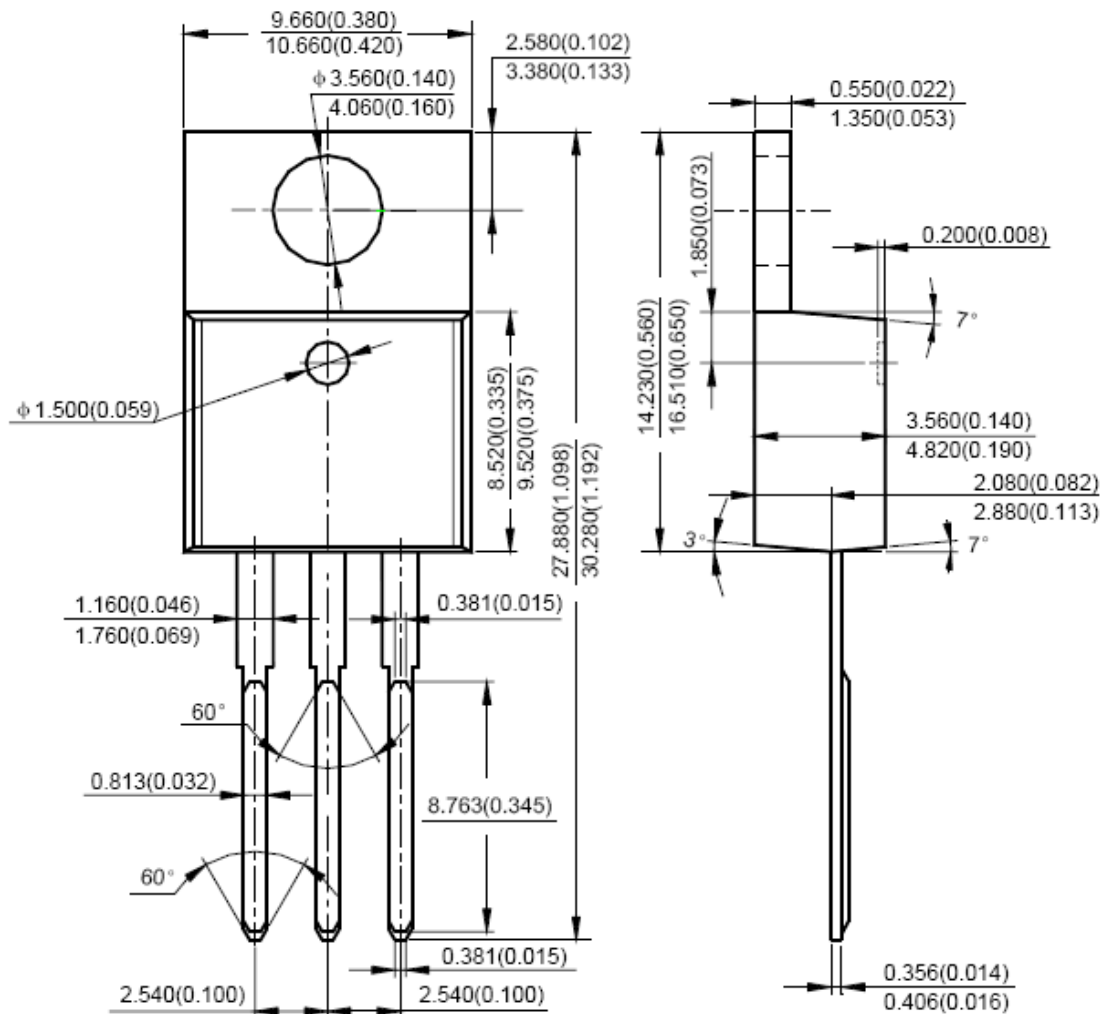
Typical Application



1A Standard Positive Voltage Regulator

LM7847 ~ LM7824

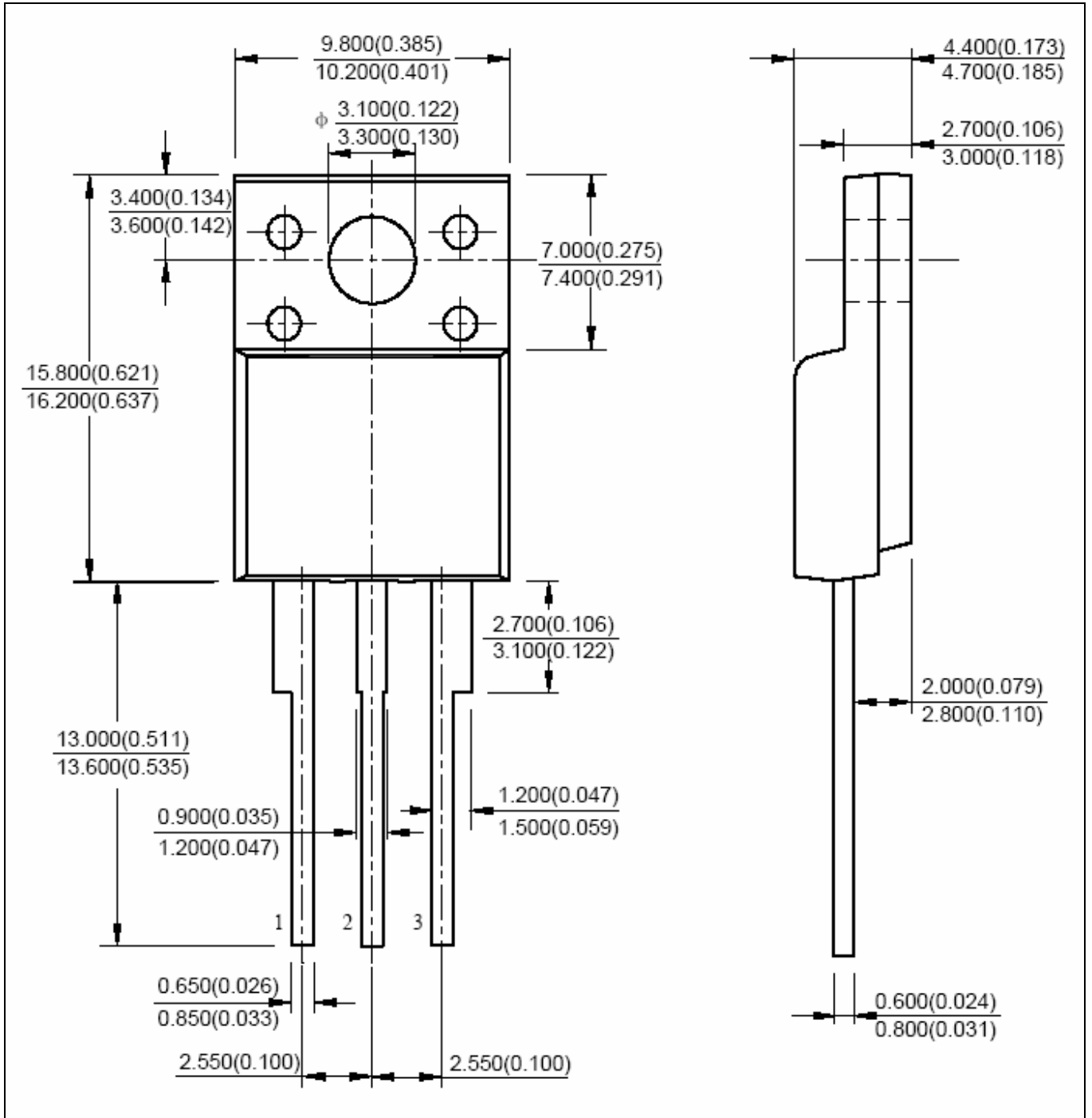
Dimensions in mm (inches)



TO-220

1A Standard Positive Voltage Regulator

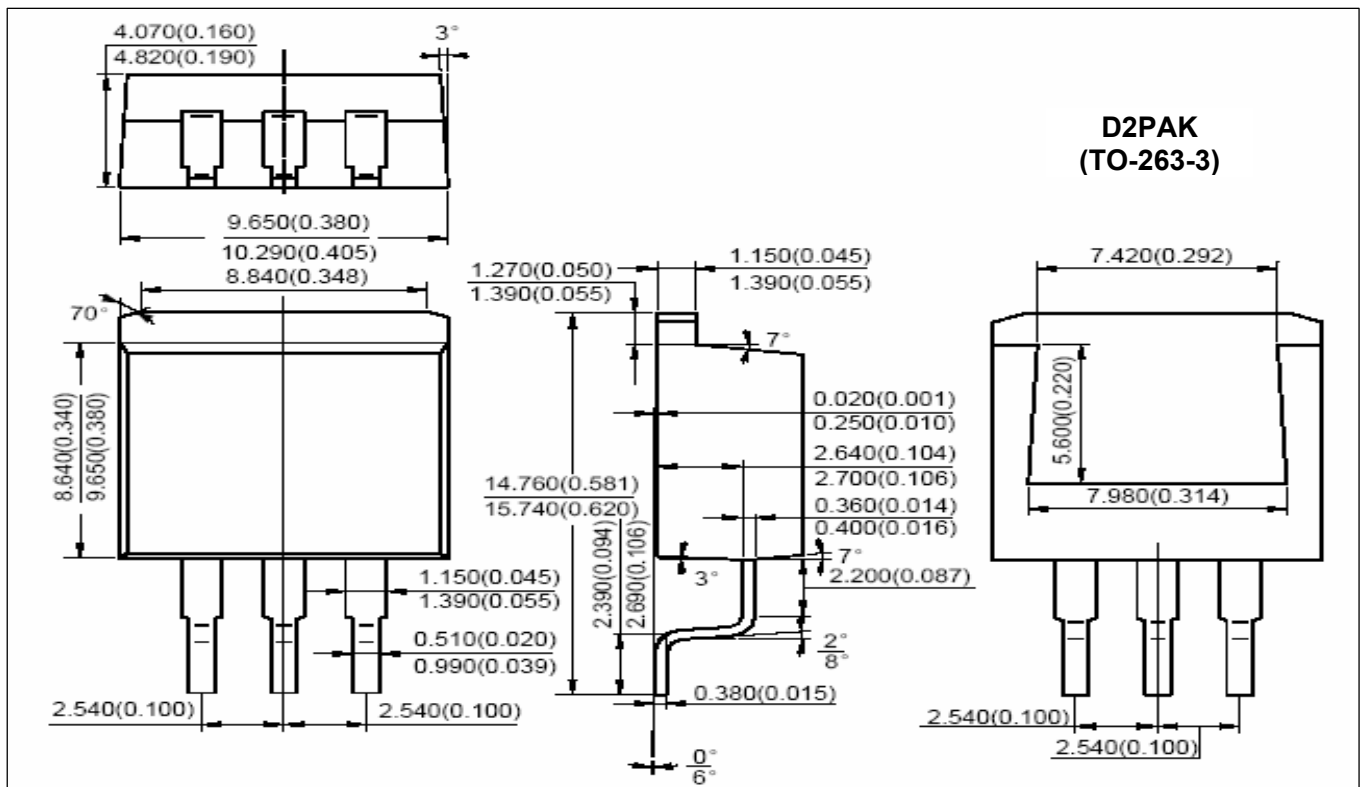
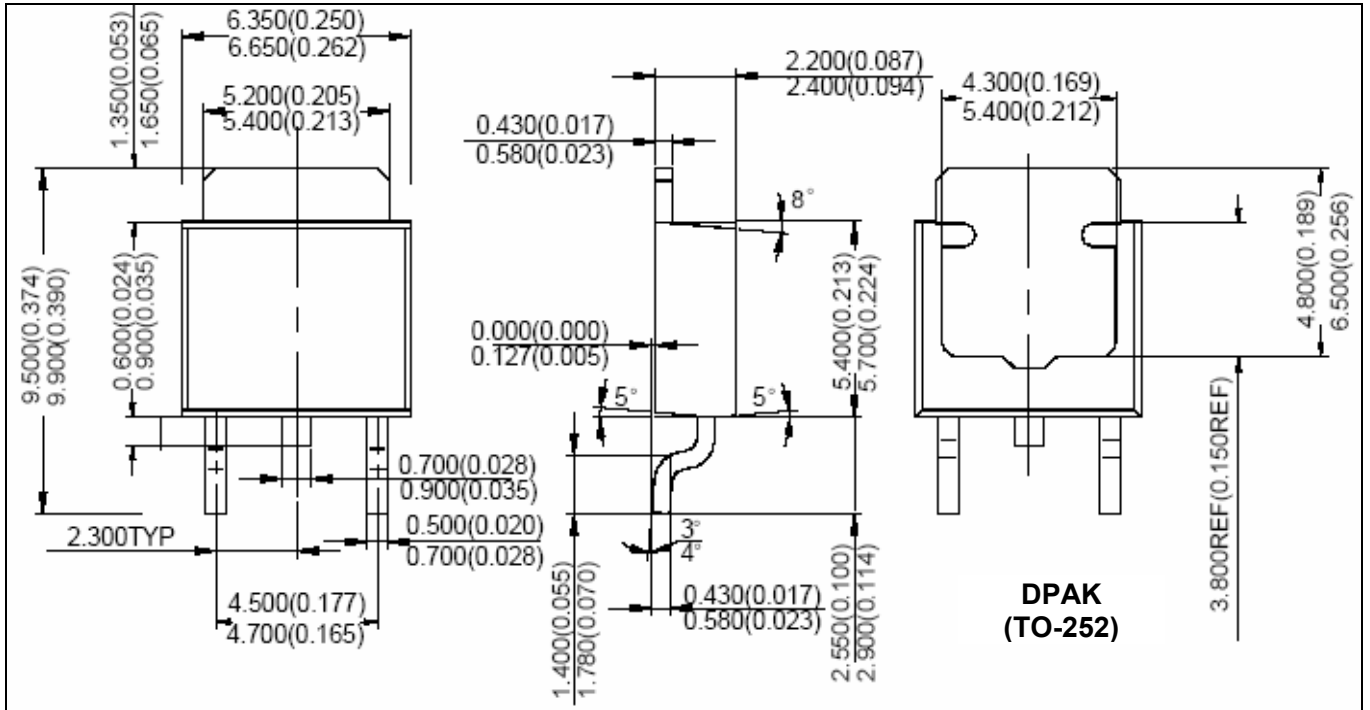
LM7847 ~ LM7824



TO-220F

1A Standard Positive Voltage Regulator

LM7847 ~ LM7824



1A Standard Positive Voltage Regulator

LM7847 ~ LM7824

How to contact us:

US HEADQUARTERS

28040 WEST HARRISON PARKWAY, VALENCIA, CA 91355-4162

Tel: (800) TAITRON (800) 824-8766 (661) 257-6060

Fax: (800) TAITFAX (800) 824-8329 (661) 257-6415

Email: taitron@taitroncomponents.com

Http://www.taitroncomponents.com

TAITRON COMPONENTS MEXICO, S.A .DE C.V.

BOULEVARD CENTRAL 5000 INTERIOR 5 PARQUE INDUSTRIAL ATITALAQUIA, HIDALGO C.P.
42970 MEXICO

Tel: +52-55-5560-1519

Fax: +52-55-5560-2190

TAITRON COMPONETS INCORPORATED E REPRESENTAÇÕES DO BRASIL LTDA

RUA DOMINGOS DE MORAIS, 2777, 2.ANDAR, SALA 24 SAÚDE - SÃO PAULO-SP 04035-001 BRAZIL

Tel: +55-11-5574-7949

Fax: +55-11-5572-0052

TAITRON COMPONETS INCORPORATED, SHANGHAI REPRESENTATIVE OFFICE

METROBANK PLAZA, 1160 WEST YAN' AN ROAD, SUITE 1503, SHANGHAI, 200052, CHINA

Tel: +86-21-5424-9942

Fax: +86-21-5424-9931